

## Connected Home Smart Plug

SCH030ZB



### Zigbee-enabled power adapter

- Easy to install
- Remote control from mobile application "Connected Home"
- Communication with Connected Home Hub via Zigbee network
- Turning on/off connected devices locally using the operation button or remotely via the mobile application
- Zigbee network repeater
- Following schedules
- Turning on/off based on Connected Home trigger devices

## Use

Connected Home Smart Plug is a small Zigbee-enabled power adapter that plugs into a regular wall outlet and controls the flow of electricity to connected devices. You can turn on/off connected electronic devices in your home environment (like floor lamps and ventilators) locally using the operation button on the plug or remotely from the mobile application.

## Functions

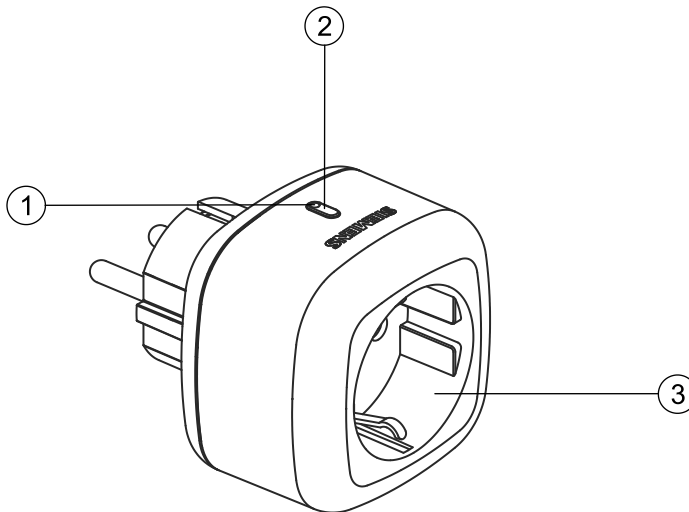
- On/off LED indicator
- Turn on/off electrical equipment
- Control via physical button or mobile application
- Automatic on/off schedules
- Control via automated actions with a Connected Home trigger device (Motion Detector, Leak Detector, Window Contact)
- Zigbee network repeater

## Mechanical design

The plug consists of the following parts:

- Front housing
- Back housing
- Plug pin
- Plug ground plate
- Socket ground plate

## Plug layout



No.	Description
1	LED indicator
2	Button for user operation: <ul style="list-style-type: none"> <li>● Press it shortly to turn on or off the connected devices.</li> <li>● Press it twice quickly to check plug status.</li> <li>● Press and hold it down for 3 s to join Zigbee network (initiated from the mobile application).</li> <li>● Press and hold it down for 10 s to perform factory reset.</li> <li>● See LED indication [▶ 4] for more information.</li> </ul>
3	Power outlet

Plug state	Checking method	LED state
Plug not added to the hub	Press the operation button twice quickly, re-plug the device into a power source or after factory reset	Solid amber for 8 s then turns to blue if the plug is ON, or turns off if the plug is OFF.
Successful connection	Press the operation button twice quickly, re-plug the device into a power source or after the connection is successfully established	Solid green for 8 s then turns to blue if the plug is ON, or turns off if the plug is OFF.
Zigbee network failure <sup>1)2)</sup>	Press the operation button twice quickly or re-plug the device into a power source	Flashes red slowly for 16 s (1 s on, 1 s off, 1 s on)
Firmware upgrade in process		Flashes amber for 8 s then turns off

Activity	Operation on the plug	LED state
Join Zigbee network (initiated from the mobile application, 2-minute timeout)	Press and hold down the operation button for 3 s	Flashes green fast
Perform factory reset	Press and hold down the operation button for 10 s	Flashes red and green alternately and fast, and then turns off. After 1 to 3 seconds, the LED turns to solid amber for 8 seconds and then turns off.
Locate plug (initiated from the mobile application when Zigbee network connection is normal)	No operation needed	Flashes green slowly (1 s on, 1 s off, 1 s on) until location is complete, then turns off

1. Check if the hub is powered on and try to reduce distance between the plug and the hub.
2. Try network reconnection.
  - Remove the plug from the mobile application, perform factory reset and then rejoin the Zigbee network.

## Operation and settings

You can do the following on the plug:

- Add the plug to the hub after the mobile application initiates the joining process.
- Reset the plug to factory settings.

See LED indication [► 4] for information on the above operations. Other operations, such as assigning the plug to a room and viewing monitoring records on plug on/off status, are only available in the mobile application.

Switching the plug state (ON and OFF) can be done either on the device or through the mobile application. However, frequent switching is not recommended as the device and mobile application might not be synchronized in a timely manner.

## NOTICE



After a firmware upgrade or reboot, the plug turns OFF. To use it again, you need to turn it ON either through the mobile application or on the device once the upgrade or reboot is complete.

### Type summary

Type	Stock number	Description
SCH030ZB	S55772-T117	Connected Home Smart Plug

### Ordering

When ordering, indicate product number, stock number and description.

### Inbox items

Items	Quantity
Plug	1
Mounting instructions	1

### Equipment combinations

Product number	Stock number	Description
GTW100ZB	S55772-T109	Connected Home Hub

### Product documentation

Title	Document ID
Mounting instructions	A6V13959843
CE declaration	A5W00713657A
Product environmental declaration	A5W00670144A

Related documents such as the environmental declarations, declarations of conformity, etc., can be downloaded from the following Internet address:

[www.siemens.com/bt/download](http://www.siemens.com/bt/download)

## Safety

**⚠ CAUTION****National safety regulations**

Failure to comply with national safety regulations may result in personal injury and property damage.

- Observe national provisions and comply with the appropriate safety regulations.

**⚠ CAUTION****Overload use**

Overloading the plug (max. 16 A) can cause it to overheat and may result in fire.

**⚠ WARNING****Overheating or heat-related injuries**

The plug may get warm during normal use. To reduce the risk of overheating or heat-related injuries, keep the plug well ventilated and use care when handling it.

**For indoor use only**

The plug is for indoor use only. Do not place it outdoors.

## Mounting

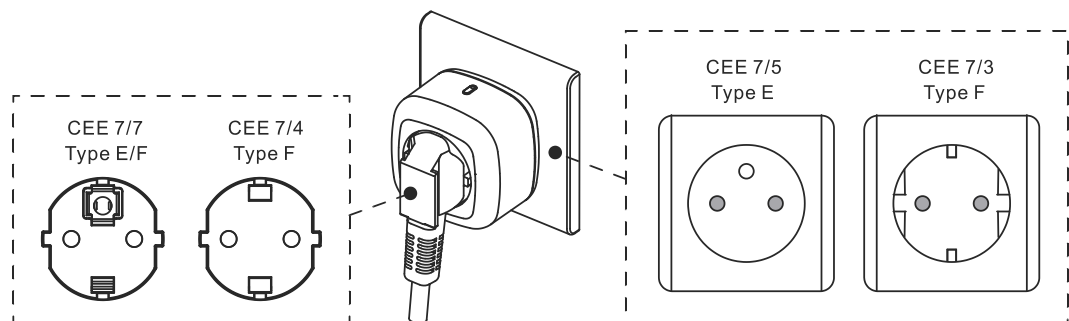


Fig. 1: Compatible sockets

- Only connect the plug to compatible sockets shown above with a protective earthing connection.
- Avoid connecting the device to socket outlets that are behind large objects or furniture such as refrigerators or cabinets that reduces radio reception.
- Do not connect the plug to any devices needing permanent power supply.
- Do not connect plugs one after another.
- Keep the plug out of the reach of people (including children) whose physical, sensory or mental capabilities, knowledge or experience prevents them from using the plug safely without supervision or instructions.
- Do not spill any food or liquid on the plug or put any object filled with a liquid, such as vase, on or near the plug.

- If the plug does get wet, **switch off power to the plug**, and then unplug it carefully without getting your hands wet and wait for the device to dry completely before plugging it in again. Do not attempt to dry the plug with an external heat source, such as a microwave oven or hair dryer.
- Do not expose the plug to dripping water, moisture, steam or extreme heat or cold. Refer to "Ambient conditions and protection classification" for allowed operating temperatures.
- Do not force the plug into a power outlet. If the plug appears damaged, discontinue use immediately.
- Do not touch the plug with wet hands.
- Do not repair or disassemble the plug without authorization.
- Avoid direct solar radiation.
- The local regulations for electrical installations must be complied with.

## Maintenance

The plug is designed for maintenance-free operation.

## Open Source Software (OSS)

### Software license overview

The device uses Open Source Software (OSS). All Open Source Software components used in the product (including copyrights and licensing agreement) are available at <http://siemens.com/bt/download>.

OSS document ID	Device
A6V14538718	SCH030ZB

## Disposal



This symbol or any other national label indicate that the product, its packaging, and, where applicable, any batteries may not be disposed of as domestic waste. Delete all personal data and dispose of the item(s) at separate collection and recycling facilities in accordance with local and national legislation.  
For additional details, refer to [Siemens information on disposal](#).

## Warranty

Technical data on specific applications are valid only together with Siemens products listed under "Equipment combinations". Siemens rejects any and all warranties in the event that third-party products are used.

Power supply	
Nominal voltage	AC 230 V $\pm$ 10 %
Frequency	50/60 Hz
Power consumption (without load)	< 0.5 W

Output	
Maximum current	16 A
Maximum power	3680 W
Nominal power for different load types	
LED	200 W
Motor	1150 W
Transformer	1150 W
Light bulb	3680 W
Fluorescent lamp	3680 W
Heater	3680 W

**⚠ WARNING**




**No internal fuse.**

External preliminary protection with maximum 16 A circuit breaker in the supply lines is required under all circumstances.

Radio parameters	
Frequency band	2.4...2.4835 GHz
Maximum radio-frequency power	< 10 dBm (antenna gain is 0...2, depending on models)
Communication standard	Based on Zigbee
MAC protocol	IEEE 802.15.4
Communication range*	30 m (indoor)
Zigbee channels	11...26
Pairing method with GTW100ZB	Global Link Key

\* The range depends largely on building structure and indoor environment.

Ambient conditions and protection classification	
Degree of pollution	2
Overvoltage category	II
Protection against electrical shock as per EN 61058-1	Protection class I
Degree of protection of housing as per EN 60529	IP30
Climatic ambient conditions	
Operation (in dry locations having no temperature or humidity control)	Temperature: 0...40 °C Ambient humidity: 5...95 % r.h. (Non condensing)
Transport and storage (in packaging)	Temperature: -25...+70 °C Ambient humidity: 5...95 % r.h. (Non condensing)
Operation altitude	Max. 3,000 m above sea level

<b>⚠ WARNING</b>	
	<p><b>Overheating or heat-related injuries</b></p> <p>The plug is suitable for use at ambient temperatures not normally exceeding 40 °C, but their average temperature over a period of 24 h does not exceed 35 °C.</p>

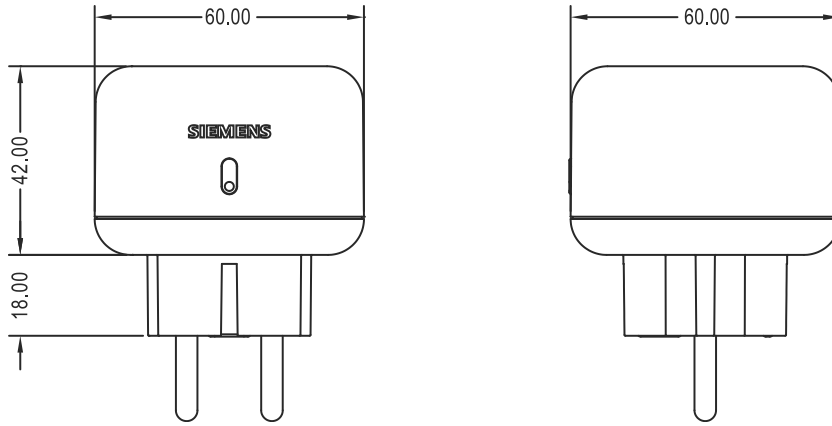
Standards, directives and approvals	
Electromagnetic compatibility	For residential and commercial environments
EU conformity (CE)	See EU declaration of conformity A5W00713657A*
Environmental compatibility	The product environmental declaration A5W00670144A* contains data on environmentally compatible product design and assessments (RoHS compliance, materials composition, packaging, environmental benefit, disposal).

\* The documents can be downloaded from [www.siemens.com/bt/download](http://www.siemens.com/bt/download).

General	
Dimensions	See "Dimensions [▶ 10]"
Color	RAL9016

General	
Firmware upgrade	Via the mobile application
Weight (net)	106 g
Weight (with package)	162 g

## Dimensions





Issued by  
Siemens Switzerland Ltd  
Smart Infrastructure  
Global Headquarters  
Theilerstrasse 1a  
CH-6300 Zug  
+41 58 724 2424  
[www.siemens.com/buildingtechnologies](http://www.siemens.com/buildingtechnologies)

© Siemens 2024  
Technical specifications and availability subject to change without notice.

---

Document ID    A6V13959694\_en--\_c  
Edition        2025-08-25